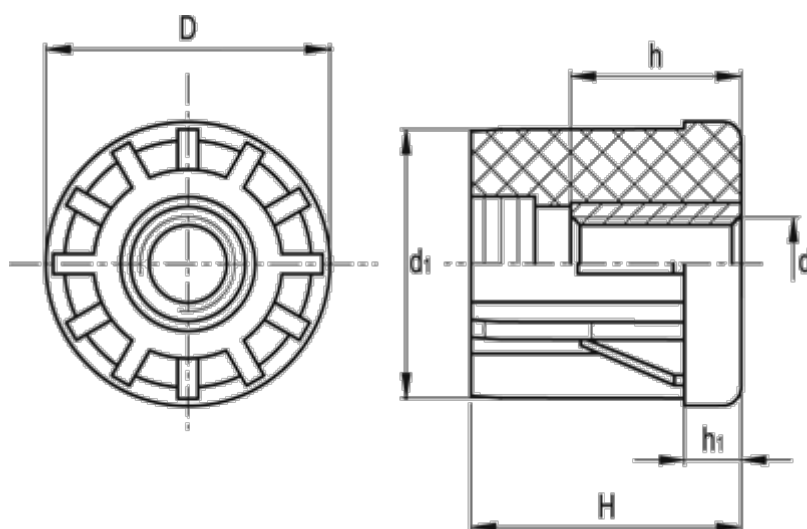


Data Sheet



Article number: 2310320333
Description: E+G Round end-cap
NDX.T-48.3x1.5-M12

Measures



d	= M12	Tube wall thickness = 1.5
D	= 48	Weight (g) = 50
d1	= 45.3	
h	= 10	
H	= 45	
h1	= 10	
Internal tube size	= 45.3	
Outer tube size	= 48.3	